

SETOUT POINTS

SETOUT POINT 1 = 5934986.455mN
258908.911mE

SETOUT POINT 2 = 5934973.053mN
258892.939mE

SETOUT POINT 3 = 5934965.152mN
258878.584mE

SETOUT POINT 4 = 5934990.325mN
258874.431mE

SETOUT POINT 5 = 5934954.511mN
258935.715mE

SETOUT POINT 6 = 5934950.352mN
258891.003mE

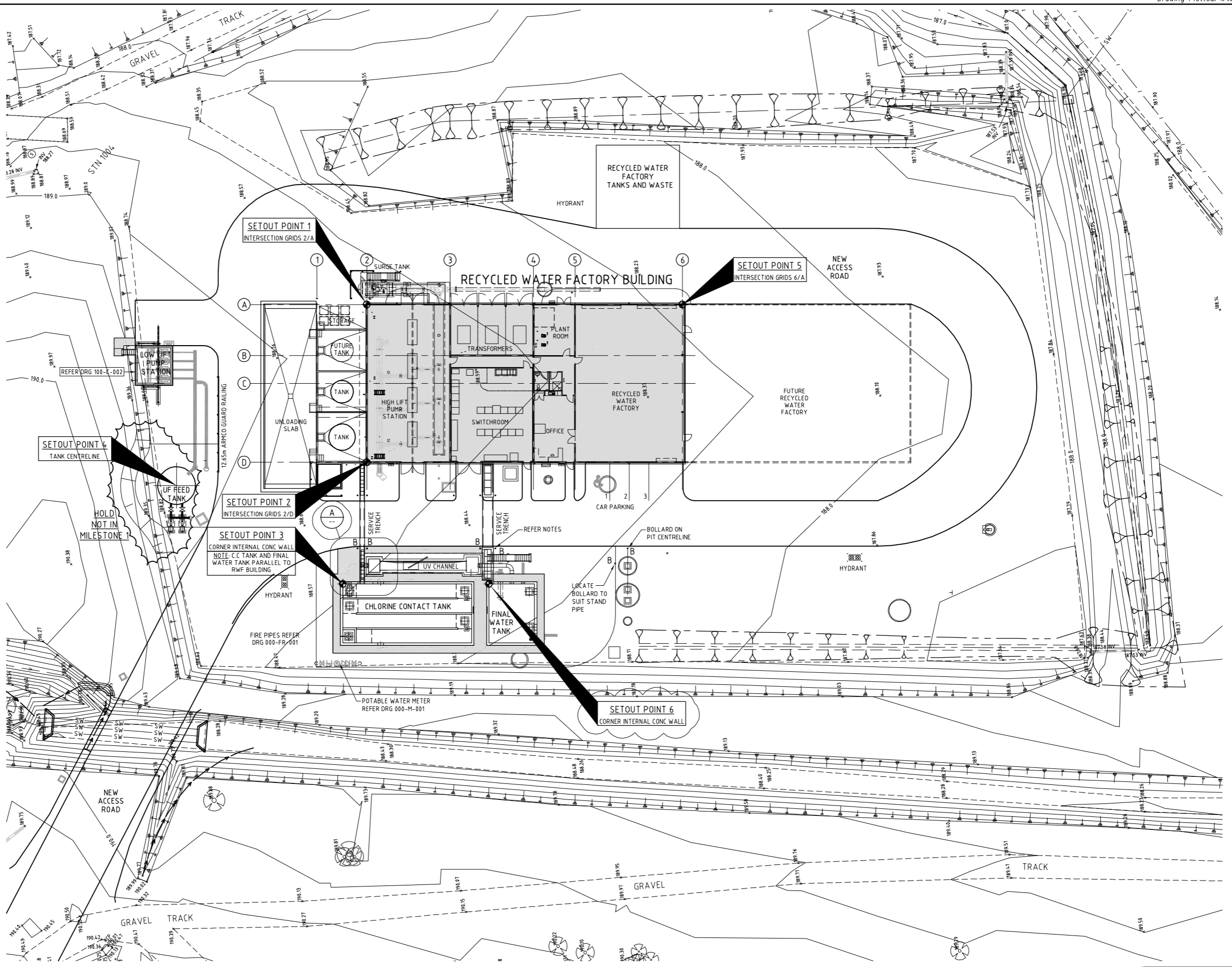
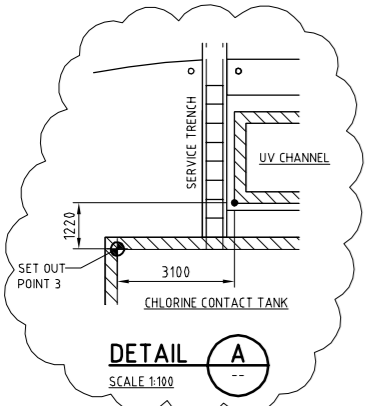
NOTES

REFER TO DRG 000-C-010 FOR OVERALL EXISTING SITE PLAN AND AHD DATUM REFERENCE.

B = BOLLARDS (REFER ALSO TO DRG A-002 FOR BOLLARDS ADJACENT BUILDING). CENTRELINE OF BOLLARDS TO SOUTH SIDE OF ROAD TYPICALLY 300mm FROM EDGE OF ROAD OR TRENCH.

REFER TO DRG 3552306-000-M-001 FOR UNDERGROUND SERVICES PLAN

REFER TO DRAWING 000-A-009 FOR GENERAL NOTES AND REQUIREMENTS



FOR CONSTRUCTION

2	CLARIFY TANK SETOUTS - ISSUE FOR CONSTRUCTION	GW	MZ	DAP	15.01.07
1	ISSUE FOR CONSTRUCTION	GW	MZ	DAP	09.11.06
0	ISSUE FOR TENDER	GW	MZ	DAP	22.9.06
No.	Revision	By	Chk	Appd	Date

Drawing Originator:
BECO Engineers ■ Planners ■ Managers

Original Scale (A1)	Design	MZ	AUG '06	Approved For Construction*
1:250	Drawn	GW	OCT '06	DAP
Reduced Scale (A3)	Dwg Verifier	SEG	NOV 06	
1:500	Dwg Check	DV	NOV 06	Date 09.11.06
				* Refer to Revision 1 for Original Signature

Client: **Coliban WATER**

Project: **EPSOM SPRING GULLY RECYCLED WATER**

Title: **RECYCLED WATER FACTORY SITE LAYOUT PLAN**

Discipline	ARCHITECTURAL
Drawing No.	3552306-000-A-001
Rev.	2