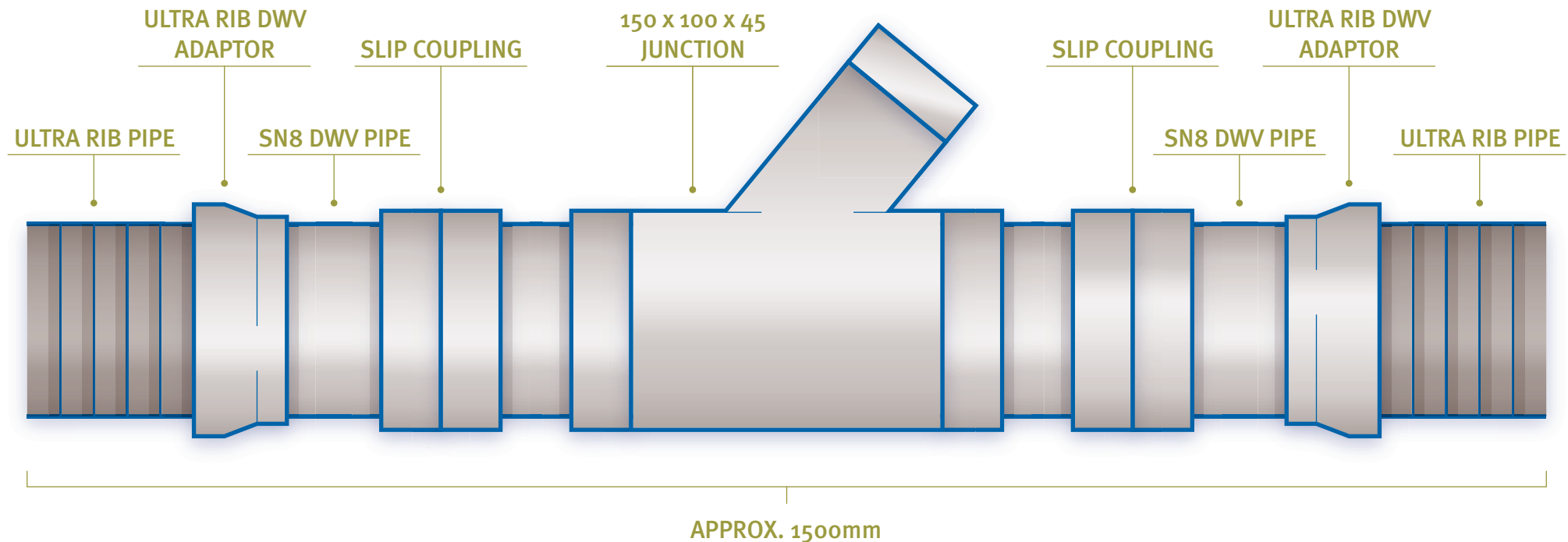


REQUIREMENTS FOR INSTALLING JUNCTIONS INTO EXISTING ULTRA RIB SEWERAGE PIPE

- Note**
- › Joint/Cut in to be stabilized
 - › Barrel of pipe to match concentrically
 - › Coliban Water to inspect cut in prior to backfilling
 - › Aussie Connectors are **not to be used**

- Materials Required**
- › 2 x Ultra Rib to PVC Adaptor/combined Coupling F&F
 - › 2 x Slip Coupling
 - › 1 x 150mm x 100mm x 45 Junction
 - › SN8 DWV Sewer Grade Pipe



Disclaimer: As installation and approval circumstances may vary, this information is provided as a guide only. Coliban Water reserves the right to alter or change information. 180408